

Elly

Universal chair with four leg base

Design — Iiro Viljanen



Elly chair has a light and functional design with its separate backrest and possibility for seat and backrest upholstery. The Elly chair with four leg base is stackable and row-connectable. Elly is also available with armrests enabling the chair to be hung on top of a tabletop.



Möbelfakta

MATERIAL DESCRIPTION:

Base: painted white, black or Inspiring Colours

Plastic or felt glides, row connection available

Seat and backrest: white or oak laminate

Armrests: black plastic

Upholstered seat and backrest available

ACCESSORIES:

Row connection and a transport trolley

FABRIC CONSUMPTION:

Seat: 0.5 m / 2 pcs

Backrest: 0.3 m

STACKABILITY:

Trolley max 18 pcs

Floor max 8 pcs

WEIGHT:

With four leg base: 5,11 kg

With four leg base and armrests: 5,41 kg

FEATURES:

- Chair with armrests can be hung on the tabletop
 - Stackable
 - Available with upholstery
 - Chair without armrests is available with row connection
-

CARBON FOOTPRINT:

Elly 684860: 17.16 kg CO₂e

Dimensional drawing:



• 52 •



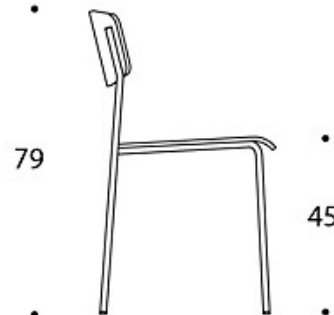
79

• 48 •

• 45 •



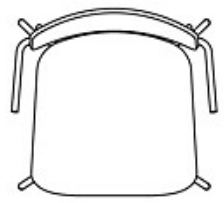
• 49 •



79

• 48 •

• 45 •



• 42 •

684808



• 42 •

684860